

Lightning

Lightweight and easy to use, the Lightning is a good all around tension back banner stand. Snap lock graphic rails make changing the graphic fast and simple. The lightning comes complete with a budget carry bag.



Features and Benefits

- Quick to assemble and easy to use
- Lightweight aluminium components
- Snap frame rails enable easy graphic changes
- Three piece bungee pole
- Includes carry bag
- Comes in anodized silver

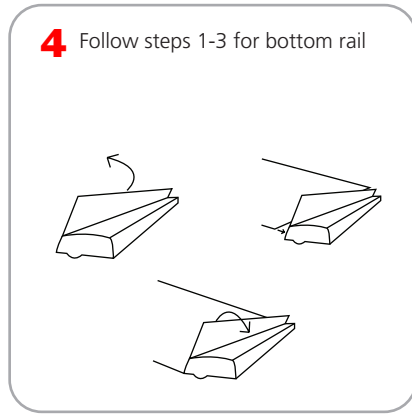
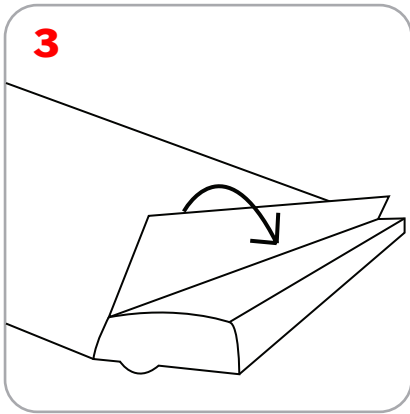
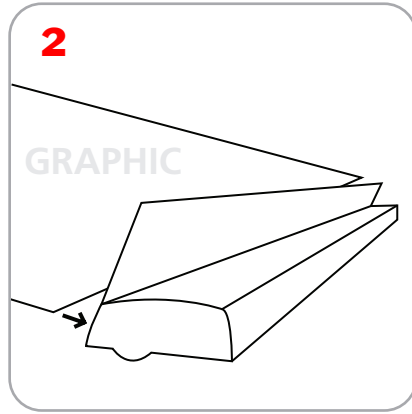
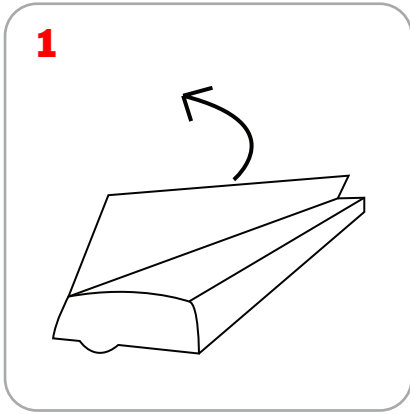
Dimensions

Hardware Dimensions	Graphic Dimensions
Base Dimensions:: 2.5"(h) x 31.625"(w) x 20.25"(d) approx. 63.5mm(h) x 803.275mm(w) x 514.35mm(d) approx.	Graphic Dimensions: 31" w x 77" h 787.4mm w x 1955.8mm h
Pole Height: 80.5" (2044.7mm)	
Weight: 3.65 lbs (1.66 kg) (including carry bag)	

Additional Information

Shipping Dimensions: 35" x 6" x 6" 889mm x 152.4mm x 152.4mm	Graphic: Add 1/2" bleed to top and 1/2" (12.7mm) bleed to base of graphic
Shipping Weight: 6 lbs / 2.72kg	Included in Kit: Base rail, top rail, bungee pole and carry bag

Lightning Graphic Attachment



Lightning Assembly

