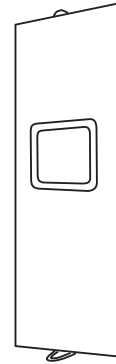
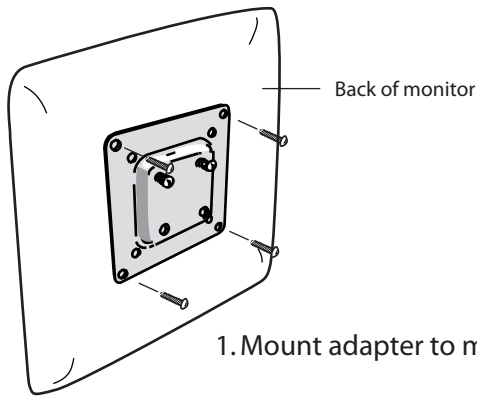
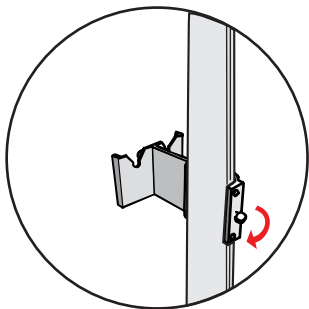


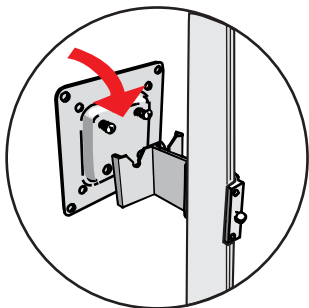
# Expand LinkWall Monitor Holder Set-up Instructions



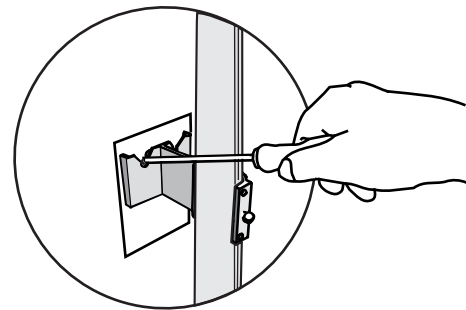
Monitor maximum weight: 8.8 lbs (4 kg)



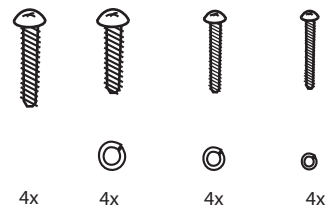
2. Fix adapter hook to pole



3. Hook on monitor



4. Secure screws from behind



Alternative VESA standards 75 or 100

